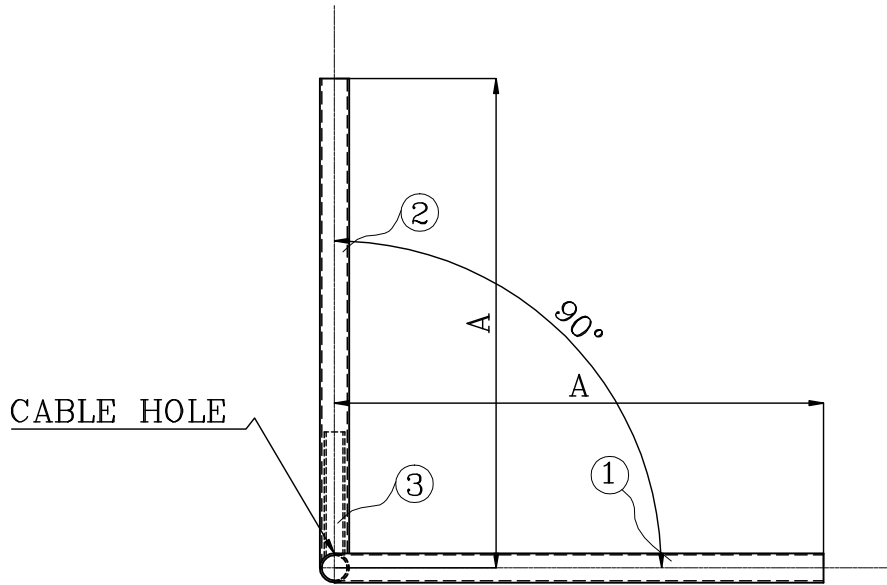
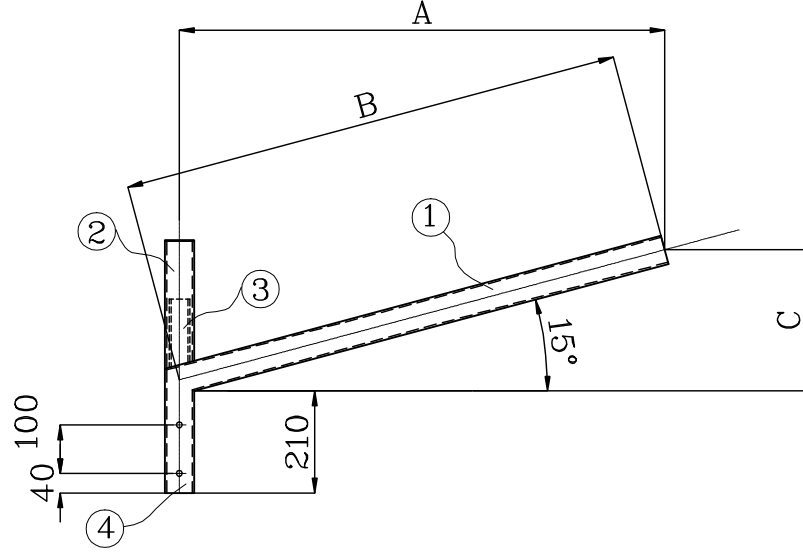


	A	B	C
1/500	500	518	157
1/1000	1000	1035	291
1/1500	1500	1553	425
1/2000	2000	2071	559



CABLE HOLE

PROJE ADI **PADK2-DOUBLE ARM 90DER**



Eski Guvercinlik Yolu No: 113
P.K. 9 Gazl Ciftligi 06560 ANKARA
Tel: (0312) 296 20 00 (Pbx)
Fax: (0312) 310 46 36
e-mail: info@mitaspole.com

HAZIRLAYAN / DESIGN. BY K.CANBALOGLU	CIZEN / DRAWN BY MURAT TEKE	KONTROL / CHECKED BY K.CANBALOGLU	ONAY / APPROVED BY K.CANBALOGLU
OLCEK / SCALE NTS	TARİH / DATE 24/03/2008	PAFTA NO / DRAWING NO *	REV. 00